



3 Pole & Fan Isolation Switch



The smooth modern lines of the MODE accessory plate will fit easily into traditional and contemporary designs alike.

The MODE Fan Isolation Switches, offer a safe and effective method of isolating fan units for work to be carried out in areas where there is little or no natural light. For example, lighting circuits may need to remain live whilst maintenance work is carried out in safety.

10A 3 Pole & Fan Isolation Switch

Product Range

3 Pole & Fan Isolation Switch

CMA020	10A 3 Pole Fan Isolation Switch
CMA021	10A 1 Gang 3 Pole Switch

3 Pole Fan Isolation Switch & Fused Connection Module (via MiniGrid)

CMA404	2 Gang Quad Aperture Plate
MD020PW	10A Twin Width 3 Pole Fan Isolation Switch Module
MD047PW	Fused Connection Unit Module



CMA020



CMA021



CMA404



MD020PW



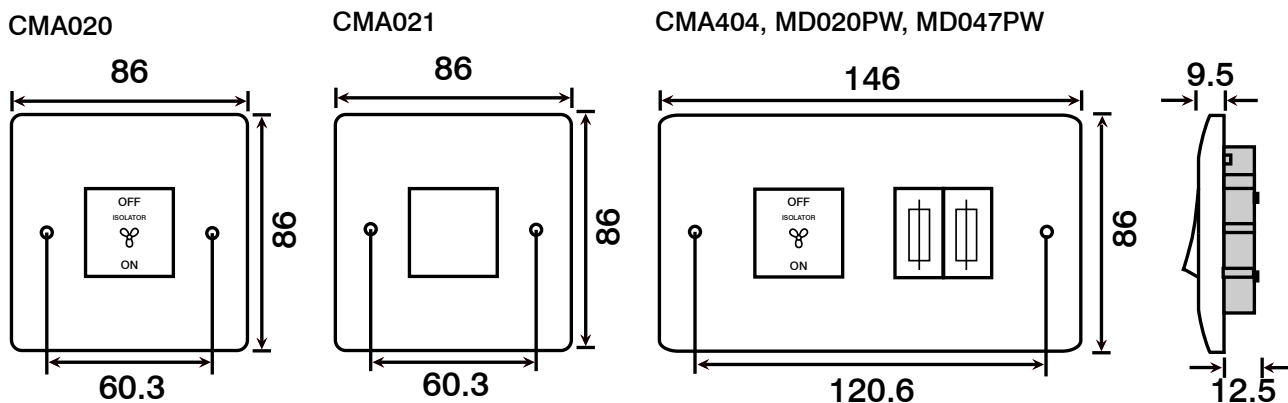
MD047PW



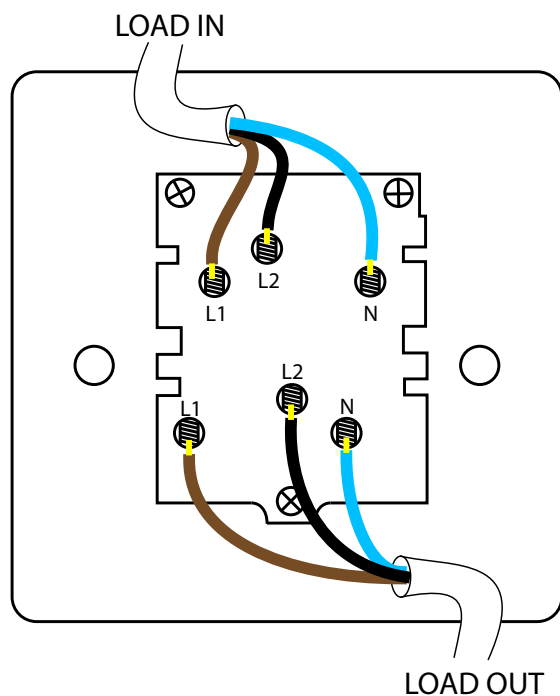
MD047PW

10A 3 Pole & Fan Isolation Switch

Product Dimensional Drawings (mm)



Product Wiring Diagram



10A 3 Pole & Fan Isolation Switch

Technical Specification

10A 3 Pole and Fan Isolation Switch

Material Composition	Front Plate & Rocker Switch: Urea Rear Housing: Nylon Terminals: Brass, Terminal Screws: Steel & Yellow Passivated Internal Mechanism: Formed Press Brass Silver “on-lay” Copper / Brass Contacts
Voltage	240V~ 50Hz
Current Rating	10A
Terminal Size	3.5mm ø
Torque Value	0.4Nm
Cable Size	1 x 2.5mm ² , 2 x 1.5mm ²
Back Box Depth	25mm - 47mm
Warranty	20 Years
Anti Microbial Certified	Yes
IP Rating	IP20
Operational Temperature	-5° to +40°C
Standards	The Low Voltage Directive 2006/95/EC, Modified ISO 22196 EN 60669-2-4:2005 EN 60669-1:1999+A1:2002+A2:2008

Additional Information

Ensure that the mains supply is isolated before commencing installation and refer to the circuit diagram with the relevant product.

Bare earth cables must always be covered with appropriate sleeving and wired to the earth terminal.

All white moulded accessories are manufactured using Urea Formaldehyde, which has similar inherent properties to antimicrobial additives that inhibit the growth of infectious diseases. All products were independently tested and achieved a 99.9% kill rate across all four types of the strains of bacteria - MRSA, E-Coli, Salmonella, and Klebsiella Pneumoniae.

CMA020 and CMA021 are not interchangeable with the MiniGrid System however, a Fused Fan Isolation Switch can be created using components from the MiniGrid System



DECLARATION OF CONFORMITY

1. *Issuer Name* Scolmore International Limited
2. *Issuer Address* 1 Scolmore Park, Landsberg,
Lichfield Road Industrial Estate,
Tamworth, Staffordshire, B79 7XB
3. *Object(s) of Declaration* Mode Range
 - a. *Group* Fan Isolation Switches
 - b. *Model No.* CMA020, CMA021
4. *The object of the declaration described above is in conformity with the requirements of the following Legislations:*

Document No	Title
2006/95/EC	Low Voltage Directive

5. *All products contained within the aforementioned comply with the relevant standards and requirements listed below.*

EN 60669-1:1999 + A1:2002 + A2:2008

EN 60669-2-4 : 2005

6. *I hereby declare that the equipment named above has been designed to comply with the relevant sections of the above referenced specifications. The unit complies with all applicable Essential Requirements of the Directives.*

In conjunction with the above all manufacture and process controls are in accordance with ISO 9001:2008

Signed, for and on behalf of: Scolmore International Limited



Steven Bettson BSc - Senior Technical Support Engineer

CE 13